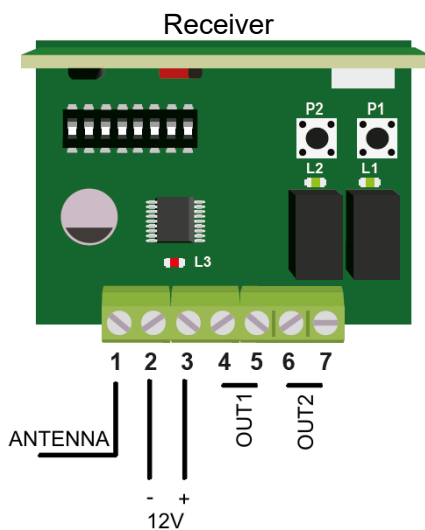


NUBI's RF link

FEATURES:

- NBRTX is an optional accessory for NUBI 4.0 smoke screen devices family, composed by two devices, one transmitter and one receiver.
- It links in wireless mode NUBI 4.0 devices to any existing alarm panel device.
- The devices work on 433,92 Mhz frequency.
- NBRTX can transmit up to 2 independent channels.

PROGRAMMING:



The receiver must be programmed before its use.

IMPORTANT:

The DIP Switch 4 must be switched in ON position.

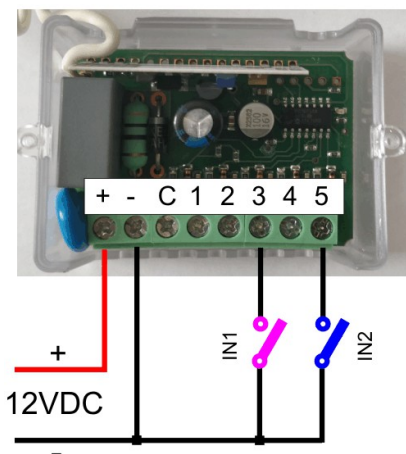
We advise to make a reset procedure in a new device.

RESET PROCEDURE:

This operation delete any transmitters in the memory.

1. Make sure that the output are deactivated (The green led L1 and L2 are turned off).
2. Make sure that the receiver is not learning. The red led L3 must be switched off .
3. Keep pressed the button P1 till the red led it is switched on. (10 seconds) and then release it.
4. Wait that the red led will be switched off or flashing.

Transmitter



TRANSMITTER LEARNING

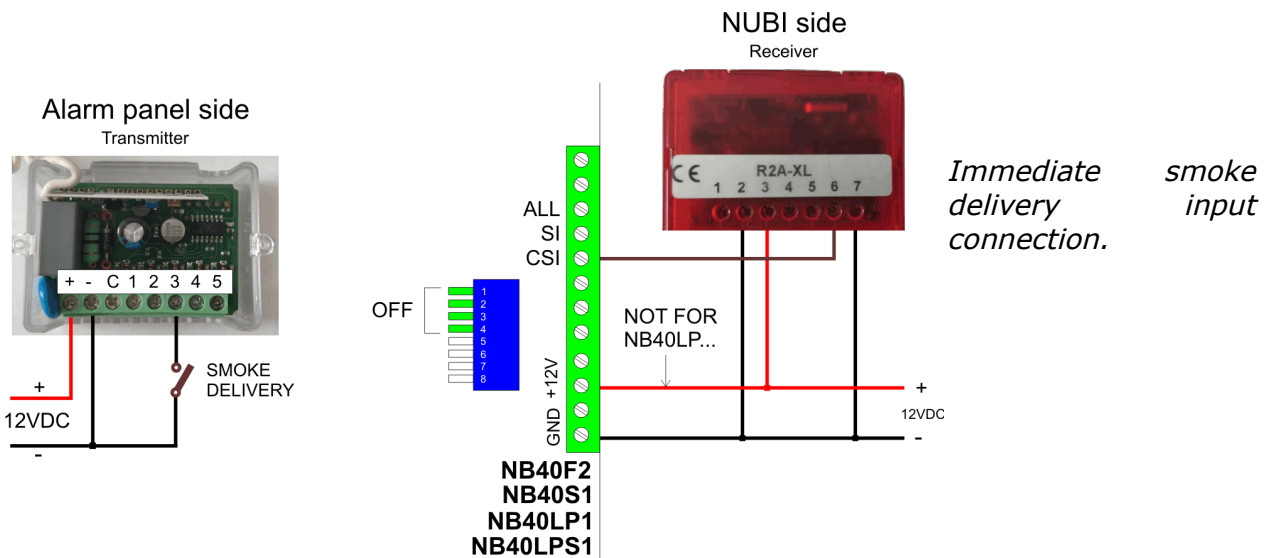
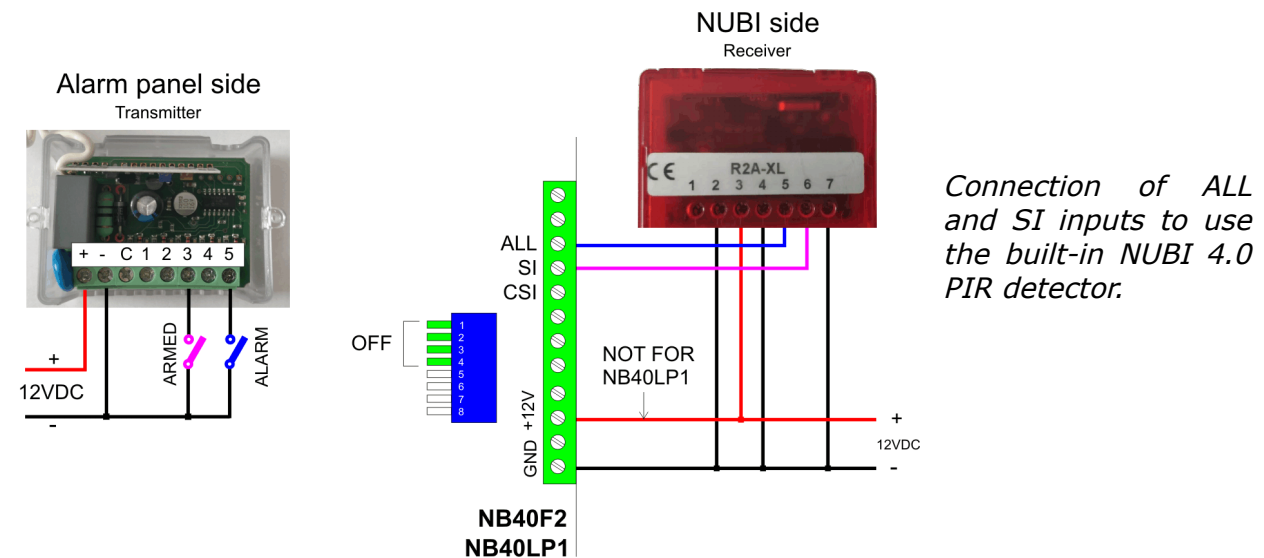
1. Make sure the exit's receivers are not in use and not in learning the green led (L1 and L2) are turned off.
2. Push and release on the receiver the push-button corresponding to the exit of the remote control, P1: OUT1 or P2: OUT2. The green led associated will lit on.
3. Close the transmitter's input within 5 seconds. IN1 to program OUT1, IN2 to program OUT2. When the code has been stored, the red led flashes fast for 2 seconds.

For wiring instructions with previous model **NB40F1**, please download from our website the RTX installation manual revision 2 (August 2018)

https://www.smarteksrl.it/wp-content/uploads/2018/08/nbrtx_datasheet_r2.pdf

MOUNTING:

- The transmitter will be installed on the alarm panel side. The alarm panel outputs will be wired to the RTX transmitter inputs.
- The receiver will be installed into the NUBI 4.0 smoke screen device, securing it with a double-sided adhesive tape. The RTX receiver outputs will be wired to the NUBI's inputs.
- Since the receiver must be powered, the RTX kit is usually used in combination with the NUBI 4.0 models powered by 12V as: NB40F2, NB40S1.



CONFORMITY DECLARATION

Smartek srl declares that the following product NBRTX is conformed to the following standards.

- EN301 489-1 V1.9.2 EN300 220-2 V2.4.1
- EN301 489-3 V1.6.1 EN 60950-1

The product has been tested in a typical installation and fulfill the essential requirements of the laws.

